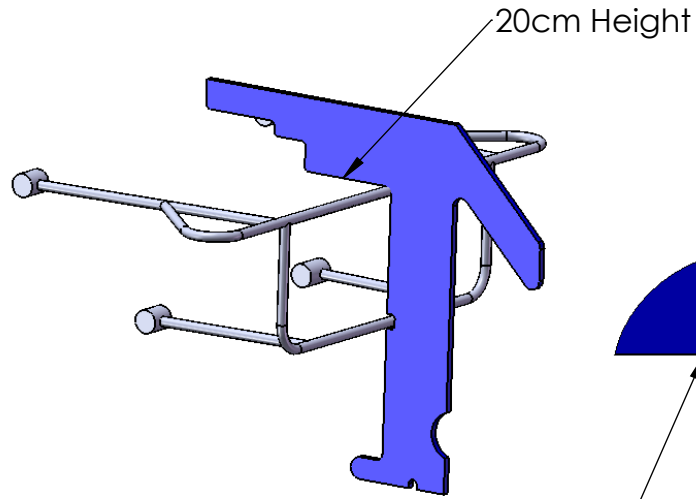
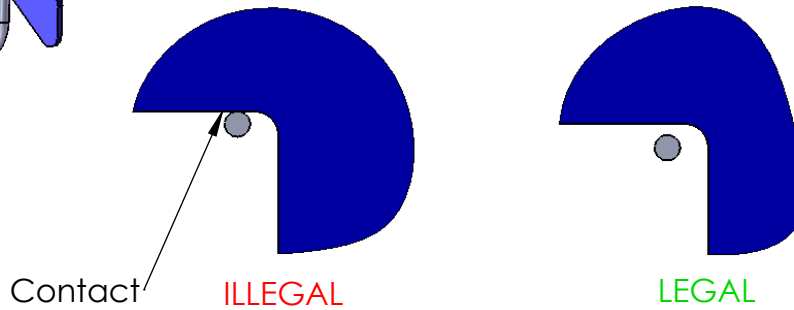


REVISIONS			
REV.	DESCRIPTION	DATE	APPROVED
A	RELEASE	3/15/2008	N.Vesco
B	Made Changes per Dan McCauley's Request	3/19/2008	Dan McCauley



Checking Maximum Picker Height-

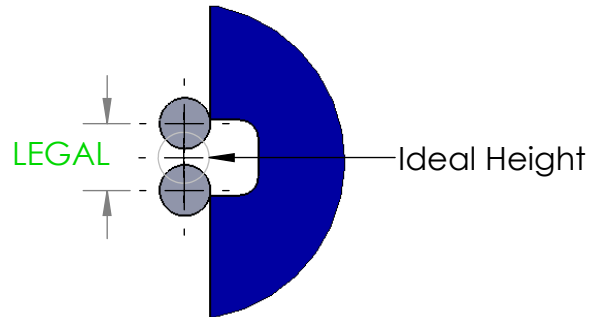
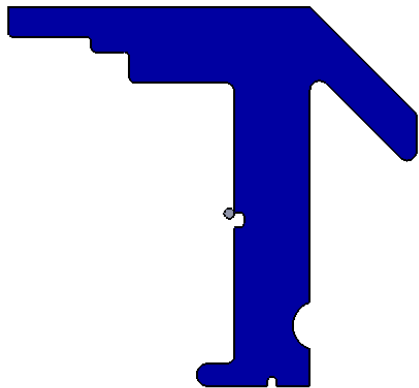
- If the Tool touches the picker while checking the 20cm height, the picker is **illegal**.
- If there is a gap between the tool and the picker while checking the 20cm height, the picker is **legal**.



Note:
"Casters must be in a forward rolling position"

TITLE:

Article 28 Section f

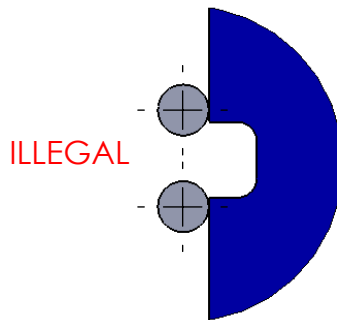


Checking Picker/Bumper Contact Height-

- If the line of contact is within the notch on the tool, the picker is **legal**.
- If the line of contact is outside the notch on the tool, the picker/bumper is **illegal**.

Note:

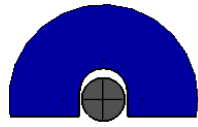
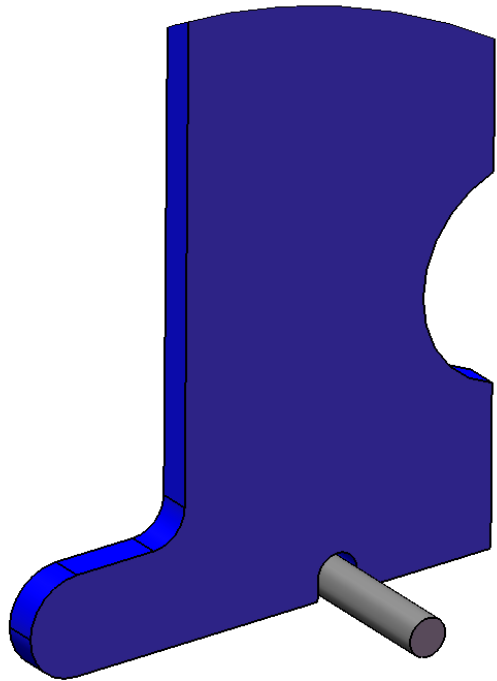
"Line of contact" refers to the portion of the chair that first makes contact. It is synonymous with "Front-most part".



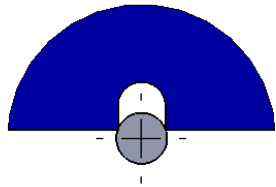
TITLE:

Article 28 Section a

SIZE A	DWG. NO. TOOLS INSTRUCTIONS	REV B
SCALE: 1:20	WEIGHT:	SHEET 1 OF 8



ILLEGAL

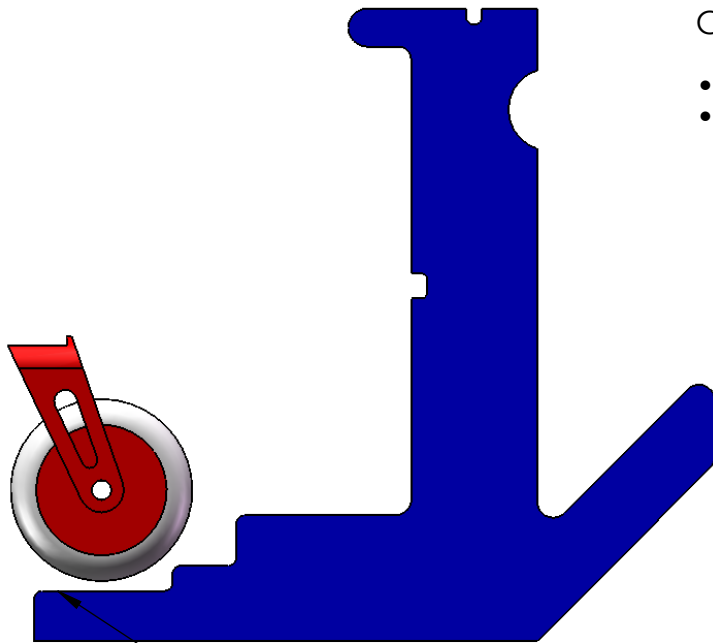


LEGAL

Checking the legality of the Picker/Bumper Material Diameter-

- If the picker tubing/rod being used fits between the gap on the tool, it is **illegal**.
- If the picker tubing/rod being used doesn't fit between the gap on the tool, it is **legal**.

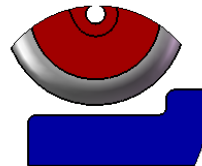
TITLE:
Article 28 Section g



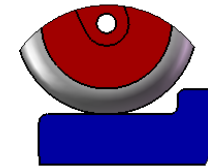
Caster Height

Checking the Rear Caster Height-

- If the tool touches the rear caster wheel at any point, it is **legal**.
- If the rear caster wheel doesn't touch the tool, it is **illegal**.



ILLEGAL

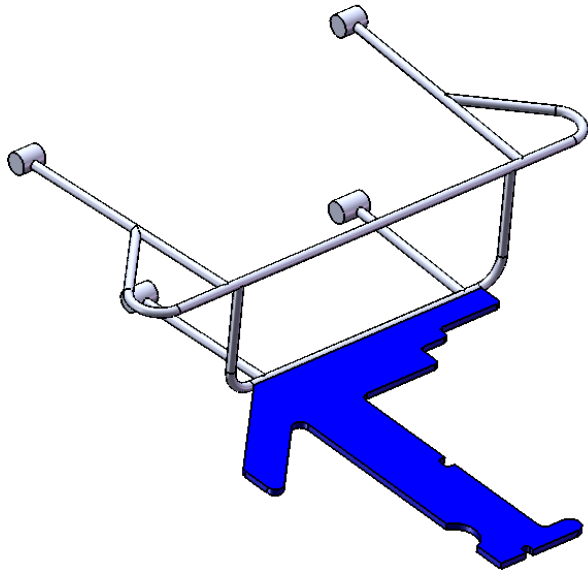


LEGAL

TITLE:
Article 27

SIZE	DWG. NO.	REV
A	TOOLS INSTRUCTIONS	B

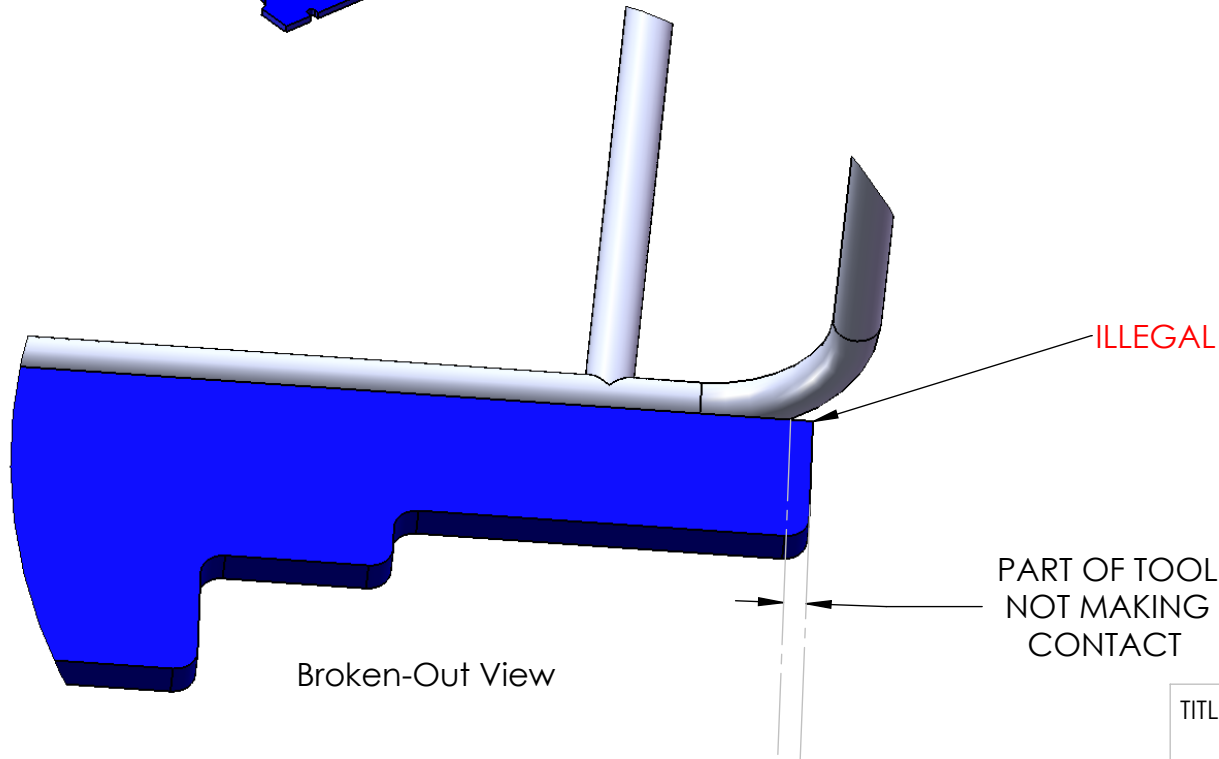
SHEET 2 OF 8



Checking the Picker/Bumper Width-

- If the tool extends beyond the width of the picker/bumper at the point of contact, the chair is **illegal**.
- If the tool makes complete contact with the line of contact of the picker/bumper, the chair is **legal**.

Note: In order to accurately measure the width, the tool must be horizontal with the ground.



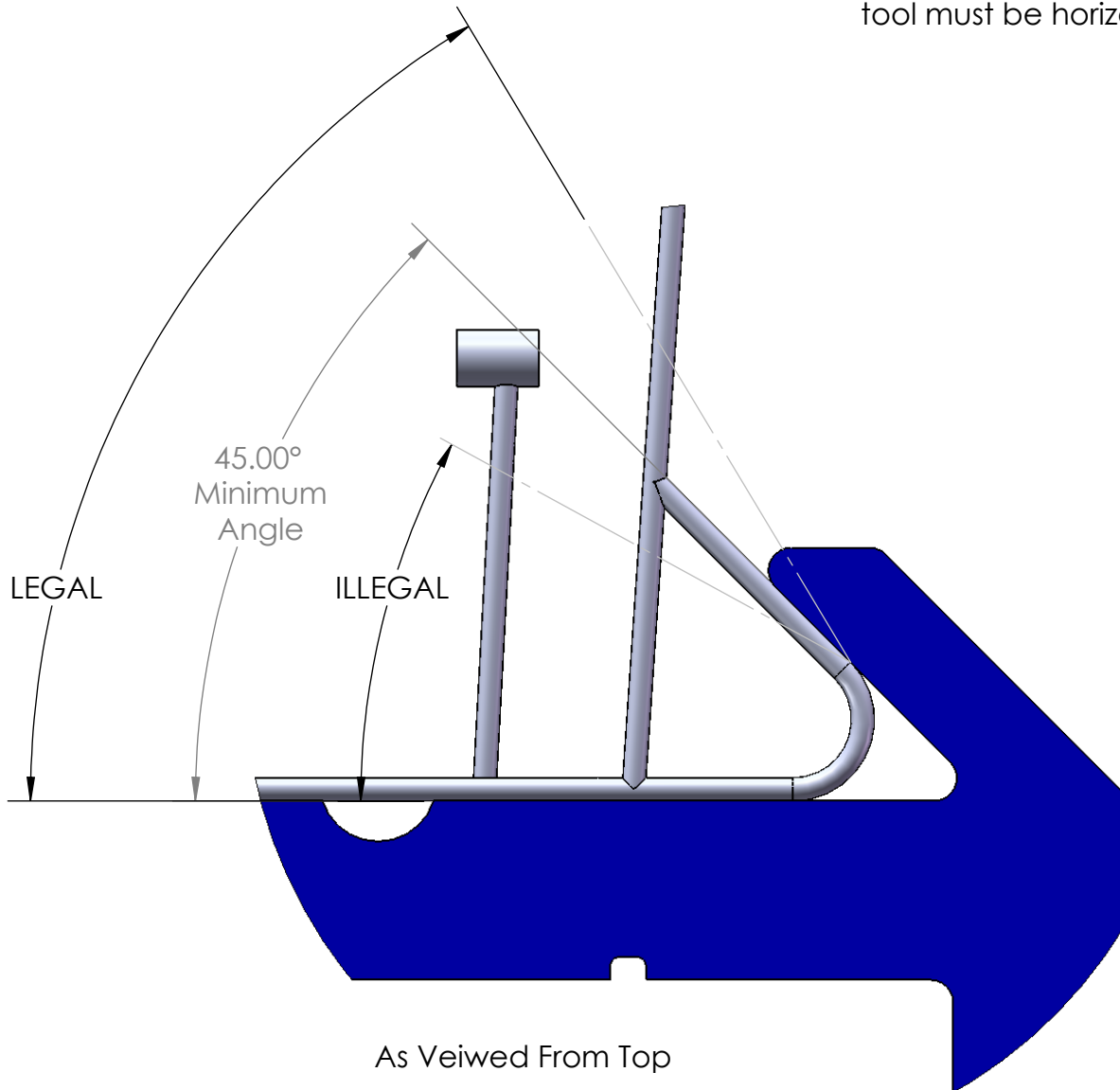
Broken-Out View

TITLE: Article 28 Section b.		
SIZE A	DWG. NO. TOOLS INSTRUCTIONS	REV B
SCALE: 1:20	WEIGHT:	SHEET 3 OF 8

Checking the Angle of the Picker/Bumper-

- If the angle of the picker/bumper is less than that of the tool, the chair is **illegal**.
- If the angle of the picker/bumper is greater than that of the tool, the chair is **legal**.

Note: In order to accurately measure the angle, the tool must be horizontal with the ground.



TITLE:

Article 28 Section L

SIZE

A

DWG. NO.

TOOLS INSTRUCTIONS

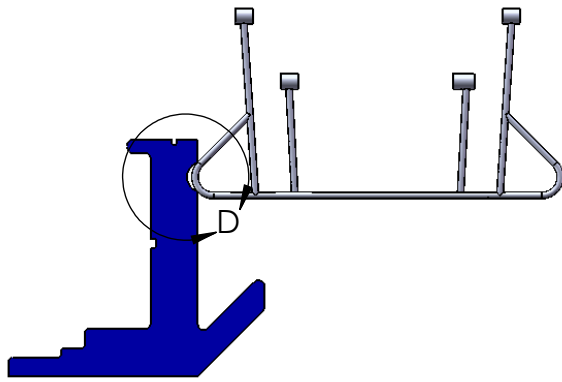
REV

B

SCALE: 1:20

WEIGHT:

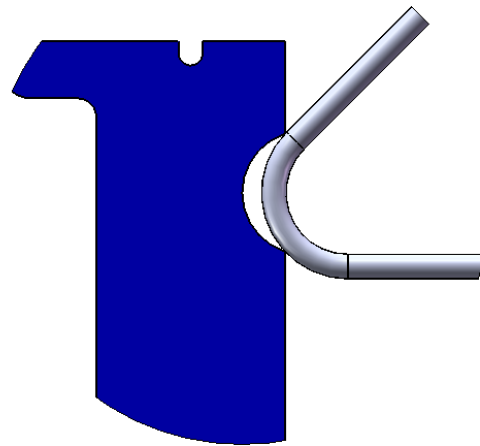
SHEET 4 OF 8



Checking the Minimum Bend Radius of the Picker/Bumper-

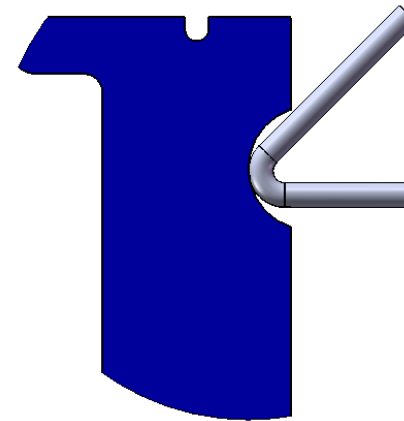
- If the picker fits inside the tool and contacts the bottom of the radius on the tool, the chair is **illegal**.
- If the picker cannot make contact with the bottom of the radius on the tool, the chair is **legal**.

LEGAL



DETAIL D
SCALE 1 : 2

ILLEGAL



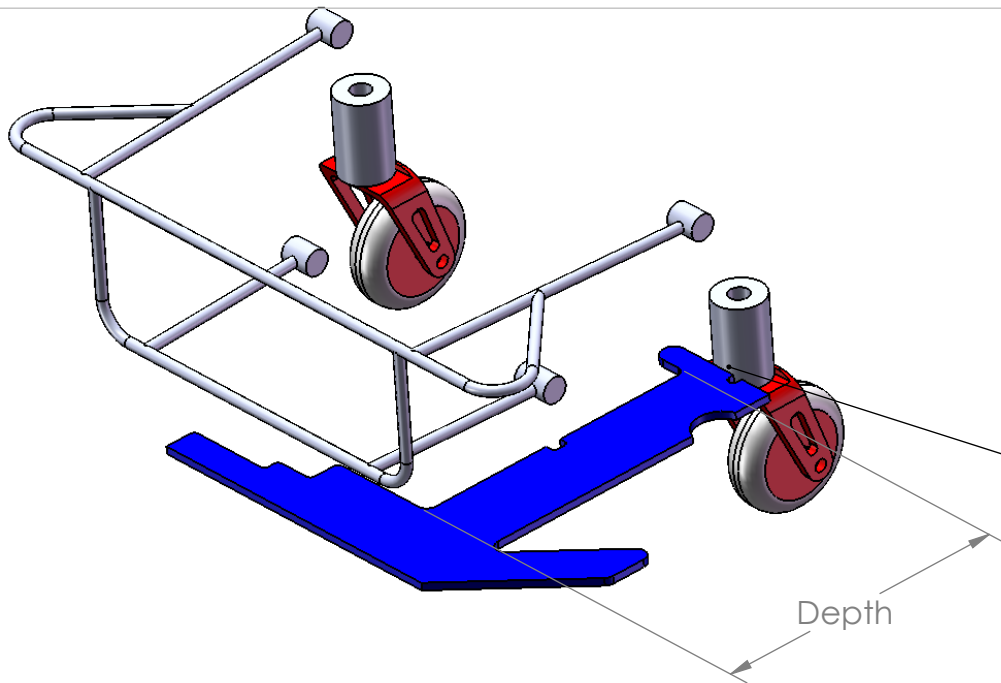
TITLE:

Article 28 Section k

SIZE	DWG. NO.	REV
A	TOOLS INSTRUCTIONS	B

SCALE: 1:20 WEIGHT:

SHEET 5 OF 8



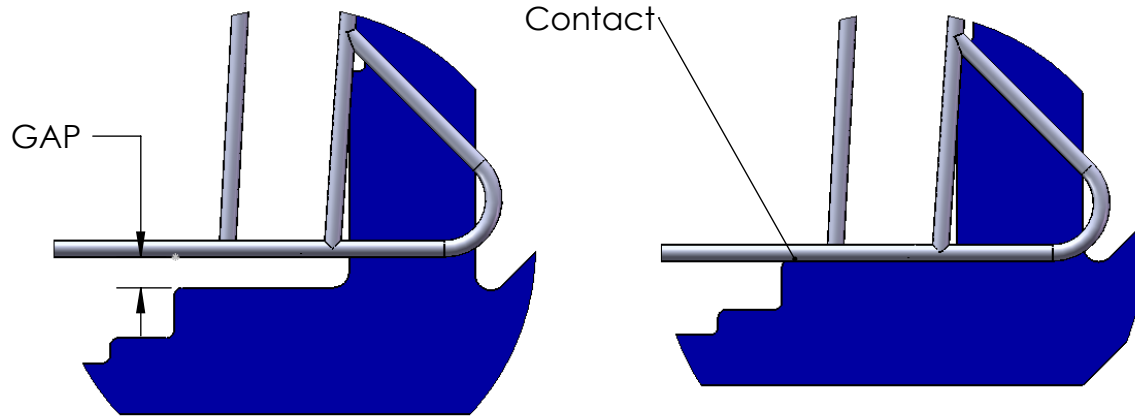
Checking the Length of the Picker/Bumper-

- If the length of the picker/bumper is greater than that of the tool, the chair is **illegal**.
- If the length of the picker/bumper is less than that of the tool, the chair is **legal**.

Note: In order to accurately measure the length, the tool must be horizontal with the ground and it must be touching the front of the caster housing.

Tool must touch the front of the caster housing

Depth



LEGAL

ILLEGAL

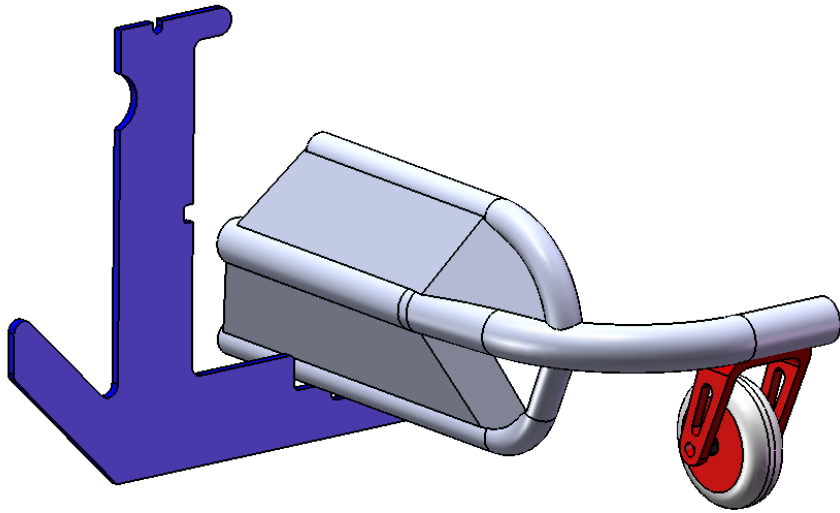
TITLE:

Article 28 Section c

SIZE	DWG. NO.	REV
A	TOOLS INSTRUCTIONS	B

SCALE: 1:20 WEIGHT:

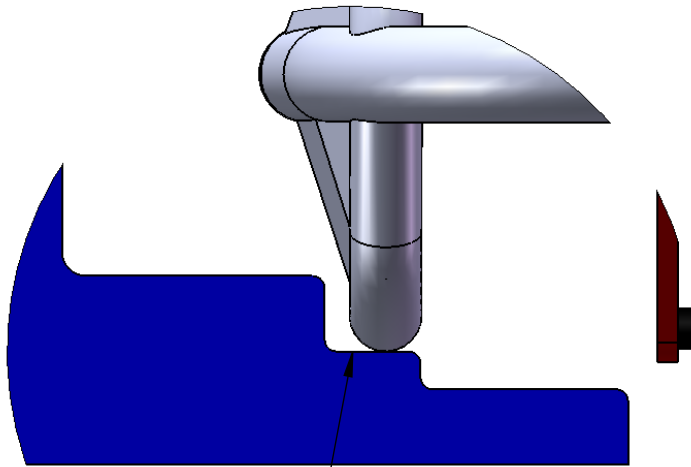
SHEET 6 OF 8



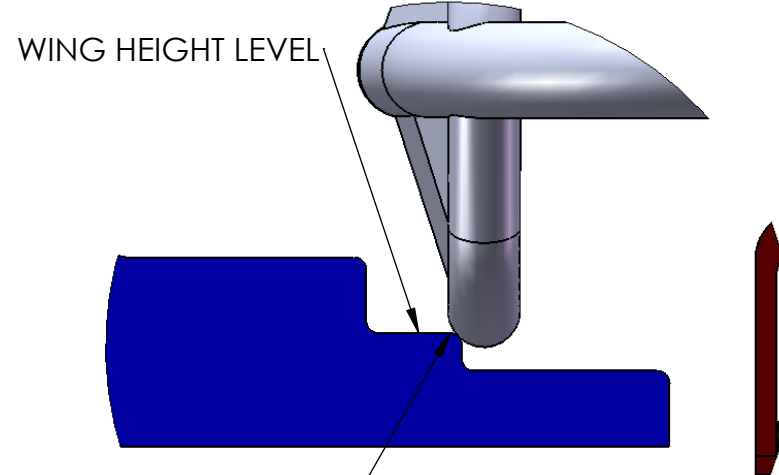
Checking the Minimum Wing Height-

- If the tool will not slide under the wing while on the floor, the chair is **illegal**.
- If the tool will slide under the wing while on the floor, the chair is **legal**.

Note: In order to accurately measure the wing height, the tool must be touching the ground.



Will Slide Under
LEGAL



Will not Slide Under
ILLEGAL

TITLE:

Article 29 Section c

SIZE
A

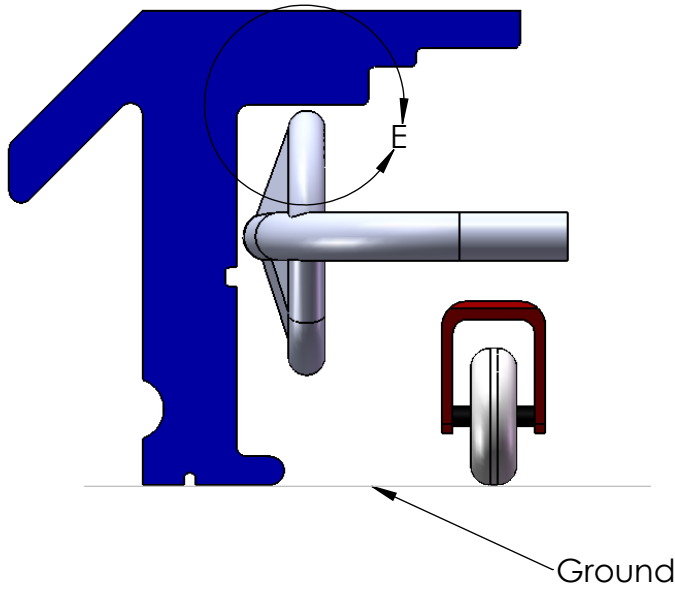
DWG. NO.
TOOLS INSTRUCTIONS

REV
B

SCALE: 1:20

WEIGHT:

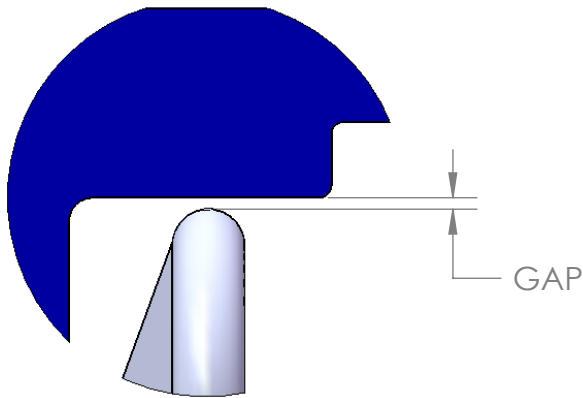
SHEET 7 OF 8



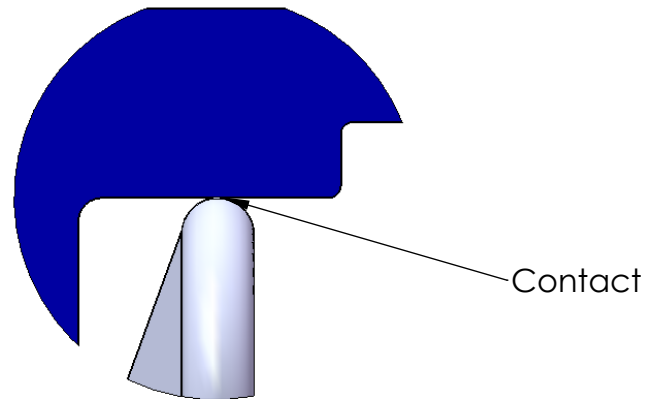
Checking the Maximum Wing Height-

- If the tool makes contact with the top of the wing, the chair is **illegal**.
- If there is a gap between the tool and the top of the wing, the chair is **legal**.
- Note: In order to accurately measure the height, the tool must be flat with the ground.

DETAIL E
SCALE 1 : 2



LEGAL



ILLEGAL

TITLE:

Article 29 Section c

SIZE
A

DWG. NO.
TOOLS INSTRUCTIONS

REV
B

SCALE: 1:20 WEIGHT:

SHEET 8 OF 8